

SEACON

55 & 66 SERIES

UNDERWATER ELECTRICAL DRY-MATE CONNECTORS




TE
connectivity

S E A C O N



55 SERIES

UNDERWATER ELECTRICAL DRY-MATE CONNECTORS

SECTION	PAGE
55 SERIES	
Introduction	55 SERIES 3
Availability	55 SERIES 3
Applications.....	55 SERIES 3
Testing	55 SERIES 3
Special Assemblies	55 SERIES 3
Part Number System	55 SERIES 3
General Information.....	55 SERIES 3
Dimension Details:	
5501-CCP	55 SERIES 4
5502-CCR	55 SERIES 4
5506-FCR	55 SERIES 5
5507-BCR	55 SERIES 5
55A1-CCP/AT	55 SERIES 6
55A1-OF-ST CCP	55 SERIES 6
55A1-OF-R/A CCP	55 SERIES 7
55A2-CCR	55 SERIES 7
55R1-CCP	55 SERIES 8
55R2-CCR	55 SERIES 8
5507-BCR-HP	55 SERIES 9
5501-CCP-HP	55 SERIES 10
55A1-CCP/AT-HP	55 SERIES 10
Interface Details:	
5507-BCR	55 SERIES 11
5506-FCR	55 SERIES 11
Contact Configurations	55 SERIES 12
66 SERIES SECTION	66 SERIES 1-7

INTRODUCTION

The SEACON 55 SERIES of underwater electrical dry-mate connectors contain significant design improvements over other industry standard connectors, whilst maintaining compatibility and interchangeability with them. This connector range is also available in PEEK (Polyetheretherketone) which was selected for its superior chemical resistance, excellent electrical properties, wear and abrasion resistance and light weight. This PEEK series of connectors are not affected by corrosion or cathodic delamination.

Key features include:-

- Industry Standard Compatibility
- Proven Sealing Technology
- Heavy Duty Stub Acme Threads (except shell size 15)
- Pressure Rated Blanking Caps available

AVAILABILITY

Pressure rated to 10,000 psi (22,500ft/7,000m), the 55 SERIES is available in 5 shell sizes with up to 24 contacts with PBOF (Pressure Balanced Oil Filled) options. Manufactured from 316L Stainless Steel as standard, other materials are also available upon request including Titanium, Aluminium Bronze and Alloy 625.

APPLICATIONS

This connector range is suitable for a variety of applications including ROV's, underwater cameras, diver communications, lights and pan and tilts.

TESTING

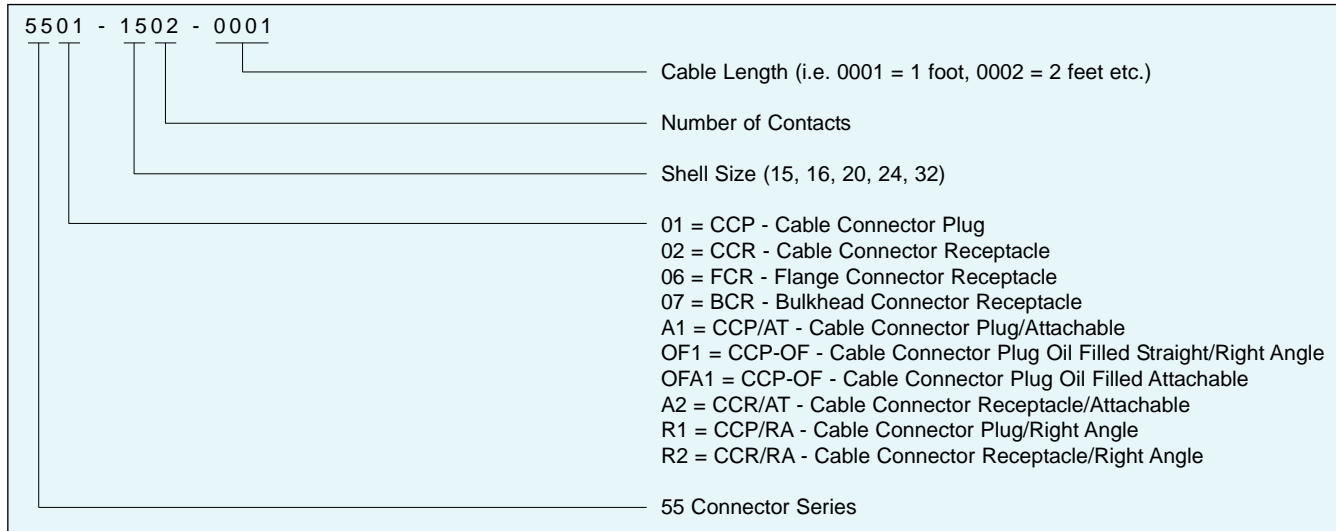
Please contact SEACON for details.

SPECIAL ASSEMBLIES

SEACON maintains all facilities necessary to furnish complete underwater and environmental electrical connector/cable systems, including Research and Development, Engineering, Manufacturing, Quality Control and Pressure Testing. As well as supplying our standard 'off-the-shelf' items, we have the capability to design and manufacture **SPECIAL CUSTOMIZED CONNECTORS AND CABLE ASSEMBLIES** to suit your individual needs. SEACON also prides itself with the ability to perform stringent quality conformance testing procedures which are in accordance with the MIL-SPEC programs.

Please contact SEACON for further information

PART NUMBER SYSTEM - EXAMPLE



NOTES:

- For new high power version availability please see pages 9 & 10.

GENERAL INFORMATION

COMPONENT	MATERIAL
CONNECTOR SHELL STANDARD: OPTIONAL:	316L Stainless Steel electro polished. Titanium, Aluminium Bronze, Alloy 625 & PEEK. Others available upon request.
ENGAGING NUT STANDARD: OPTIONAL:	316L Stainless Steel coated with a special anti-galling compound. Titanium, Aluminium Bronze & Alloy 625. Others available upon request.
ELECTRICAL CONTACTS	Copper Alloy and gold plated per MIL-G-45204.
CONNECTOR BODY STANDARD: OPTIONAL:	Neoprene. Nitrile, Hypalon. Others available upon request.
OVERMOULD (STANDARD)	Neoprene, Nitrile, Hypalon. Others available upon request.
CABLE STANDARD: OPTIONAL:	Neoprene. Polyurethane & Polyethylene. Others available upon request.
BULKHEAD TAILS	P.T.F.E insulated #16 AWG. Others available upon request. Please contact SEACON.

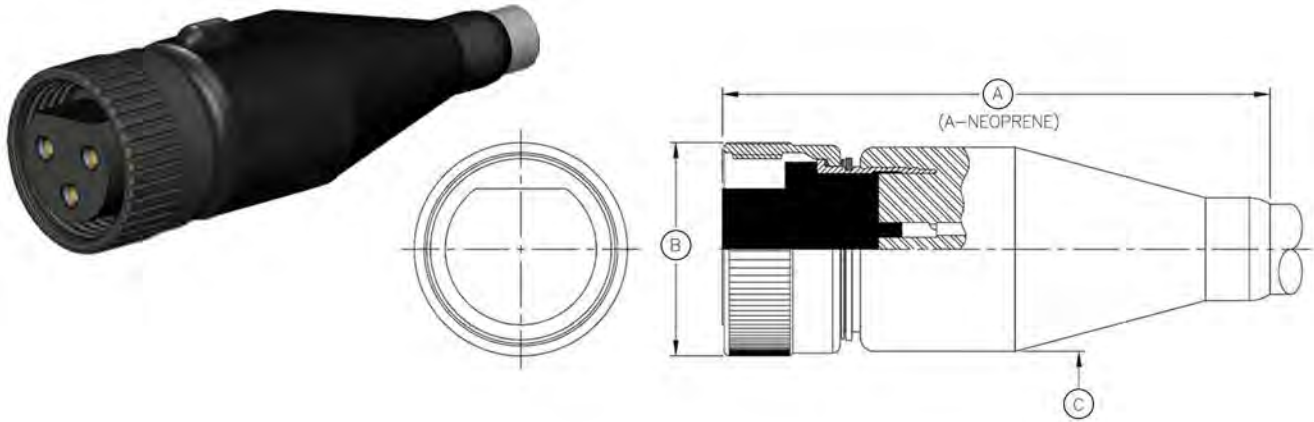
CATEGORY	VALUE
PRESSURE	10,000 psi mated and un-mated.
VOLTAGE RATING (STANDARD)	600 VDC/440 VAC. 3kVDC for new high power version.
CURRENT (MAXIMUM)	5 to 18 amps dependant on contact and cable conductor size. 65 amps for new high power version.
OPERATING TEMPERATURE	-4°F to 194°F (-20°C to 90°C).
BULKHEAD MOUNTING TORQUE	15 shell size = 125 inch/lbs.* 16 shell size = 125 inch/lbs.* 20 shell size = 165 inch/lbs.* 24 shell size = 225 inch/lbs.* 32 shell size = 325 inch/lbs.*
MATING CYCLES	500.

NOTES:

- Dummy connectors are available. Please contact SEACON for details.
- * Torque values refers to installation into dry metal threads.

55 SERIES
5501-CCP

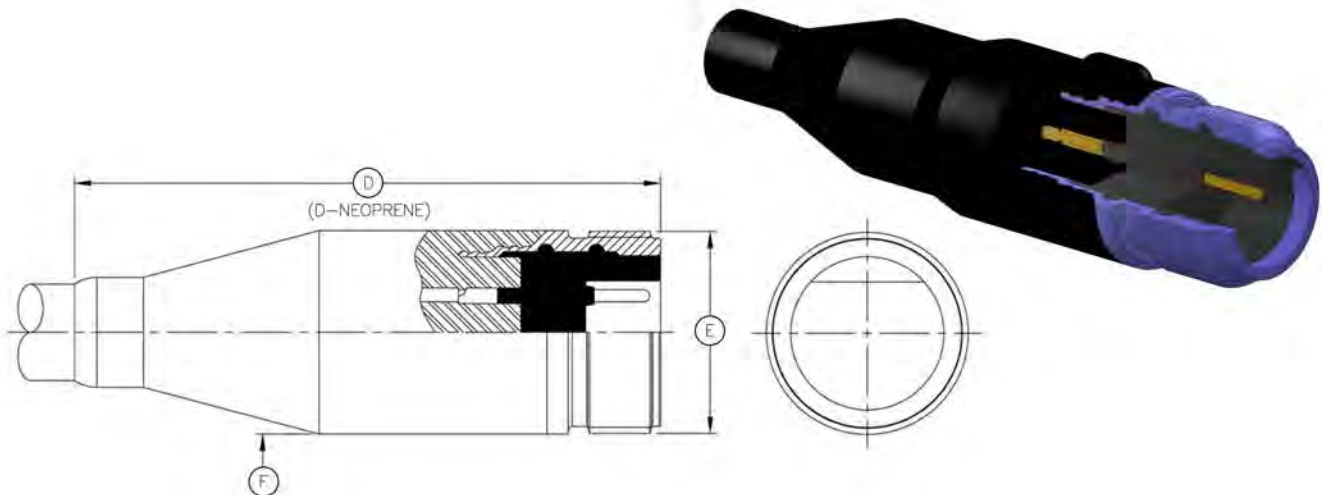
55 SERIES Cable Connector Plug
Mates with 55-BCR/CCR/FCR
Dummy Connector: 55-DSR



CONNECTOR	A - (INCHES)	A - NEOPRENE (INCHES)	B - Ø (INCHES)	C - Ø (INCHES)
5501-15	3.67	2.56	1.07	1.00
5501-16	3.67	2.56	1.17	1.125
5501-20	4.75	3.90	1.45	1.38
5501-24	5.38	3.76	1.70	1.64
5501-32	7.12	7.12	2.23	1.98

55 SERIES
5502-CCR

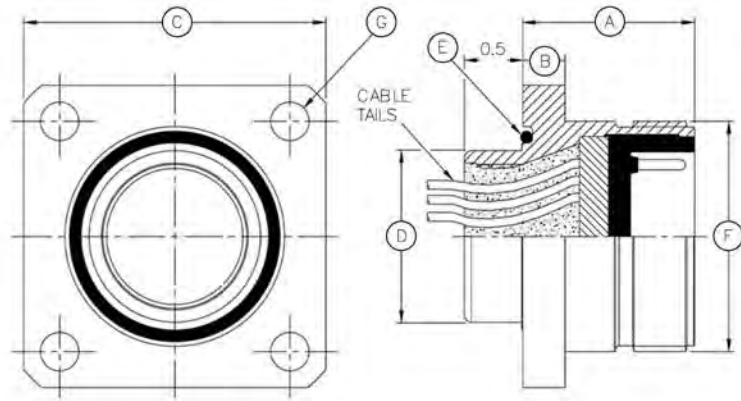
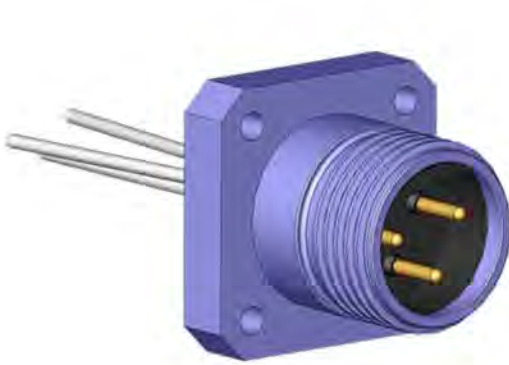
55 SERIES Cable Connector Receptacle
Mates with 55-CCP
Dummy Connector: 55-DSP



CONNECTOR	D - (INCHES)	D - NEOPRENE (INCHES)	E - THREAD	F - Ø (INCHES)
5502-15	3.37	2.62	15/16-20 UNEF	1.00
5502-16	T.B.A.	T.B.A.	T.B.A.	T.B.A.
5502-20	4.95	4.10	1 1/4-9 STUB ACME	1.38
5502-24	5.58	3.96	1 1/2-9 STUB ACME	1.64
5502-32	7.12	7.32	2-9 STUB ACME	1.98

55 SERIES
5506-FCR

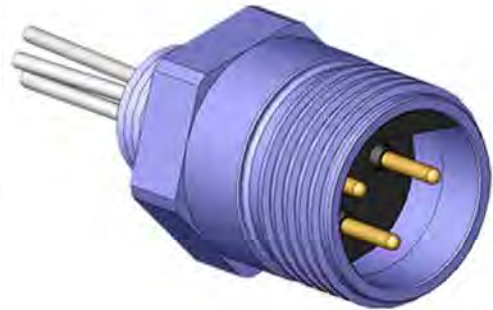
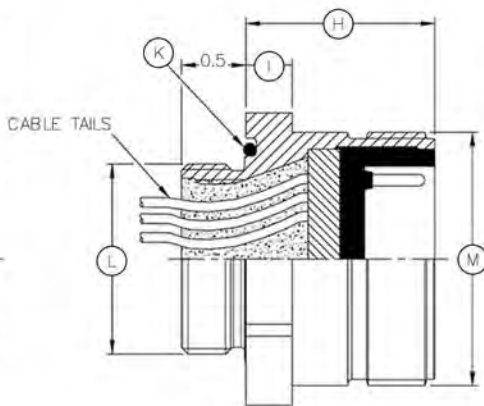
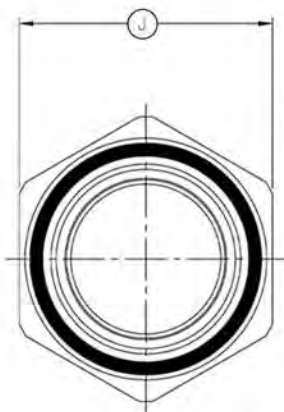
55 SERIES Flange Connector Receptacle
Mates with 55-CCP
Dummy Connector: 55-DSP



CONNECTOR	A - LENGTH (INCHES)	B - LENGTH (INCHES)	C - LENGTH (INCHES)	D - Ø (INCHES)	E - O-RING	F - THREAD
5506-15	1.25	0.313	1.50	0.625	116	15/16-20 UNEF
5506-16	1.50	0.375	1.625	0.625	116	1-9 STUB ACME
5506-20	1.50	0.375	1.75	0.74	118	1 1/4-9 STUB ACME
5506-24	1.50	0.375	2.00	0.99	122	1 1/2-9 STUB ACME
5506-32	1.50	0.375	2.625	1.50	130	2-9 STUB ACME

55 SERIES
5507-BCR

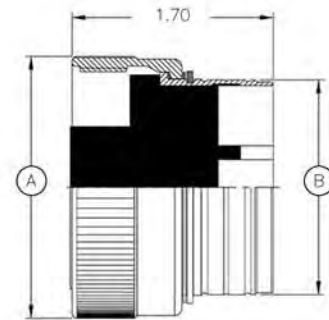
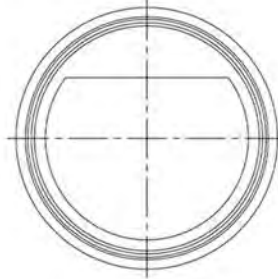
55 SERIES Bulkhead Connector Receptacle
Mates with 55-CCP
Dummy Connector: 55-DSP



CONNECTOR	G - LENGTH (INCHES)	H - LENGTH (INCHES)	I - ACROSS FLATS (INCHES)	J - O-RING	K - THREAD	L - THREAD
5507-15	1.25	0.313	1.12	116	5/8-18 UNF	15/16-20 UNEF
5507-16	1.50	0.375	1.12	116	5/8-18 UNF	1-9 STUB ACME
5507-20	1.50	0.375	1.25	118	3/4-16 UNF	1 1/4-9 STUB ACME
5507-24	1.50	0.375	1.50	122	1-14 UNS	1 1/2-9 STUB ACME
5507-32	1.50	0.375	2.00	130	1 1/2-12 UNF	2-9 STUB ACME

55 SERIES 55A1-CCP/AT

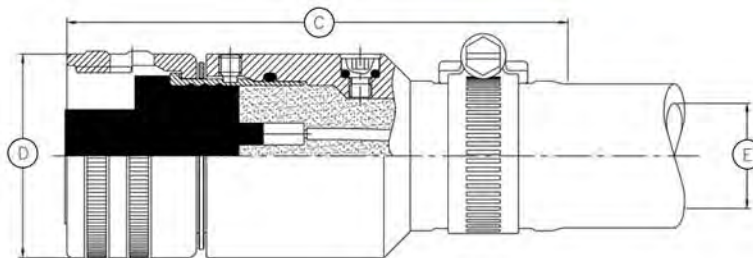
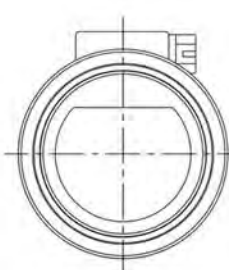
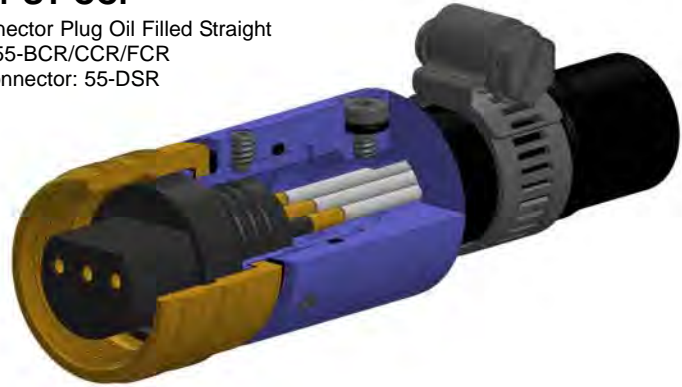
55 SERIES Cable Connector Plug Attachable
Mates with 55-BCR/CCR/FCR
Dummy Connector: 55-DSR



CONNECTOR	A - Ø (INCHES)	B - Ø (INCHES)
55A1-15	1.08	0.69
55A1-16	1.17	0.813
55A1-20	1.45	1.085
55A1-24	1.70	1.30
55A1-32	2.23	1.81

55 SERIES 55OF1-ST-CCP

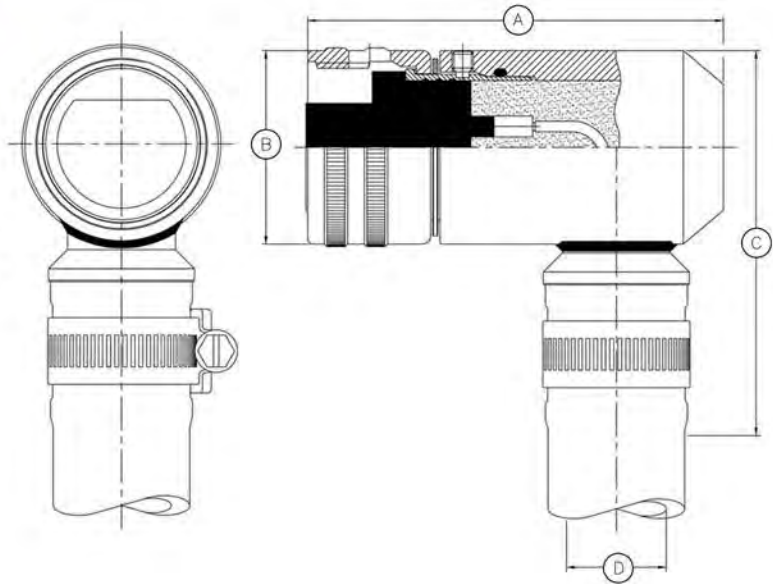
55 SERIES Cable Connector Plug Oil Filled Straight
Mates with 55-BCR/CCR/FCR
Dummy Connector: 55-DSR



CONNECTOR	C - LENGTH (INCHES)	D - Ø (INCHES)	E - Ø HOSE (INCHES)
55OF1-15	3.56	1.102	0.50
55OF1-20	3.56	1.450	0.75
55OF1-24	3.69	1.670	0.75

55 SERIES
550F1-R/A-CCP

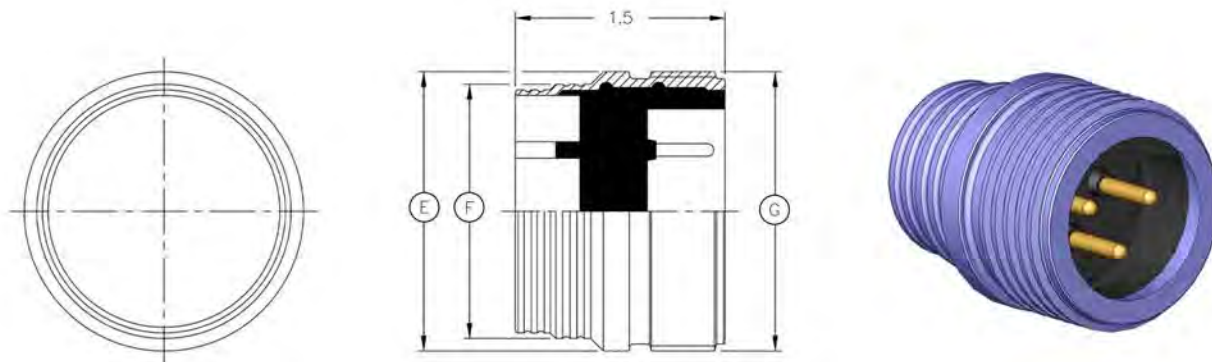
55 SERIES Cable Connector Plug Oil Filled Right Angle
Mates with 55-BCR/CCR/FCR
Dummy Connector: 55-DSR



CONNECTOR	A - LENGTH (INCHES)	B - Ø (INCHES)	C - LENGTH (INCHES)	D - Ø HOSE (INCHES)
550F1-15	2.86	1.102	2.53	0.50
550F1-20	3.12	1.450	2.88	0.75
550F1-24	3.12	1.670	3.10	0.75

55 SERIES
55A2-CCR

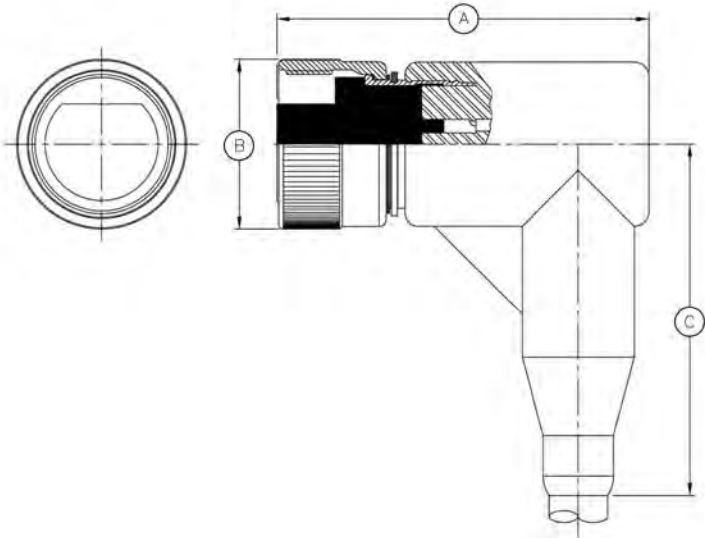
55 SERIES Cable Connector Receptacle/Attachable
Mates with 55-CCP
Dummy Connector: 55-DSP



CONNECTOR	E - Ø (INCHES)	F - Ø (INCHES)	G - THREAD
55A2-15	1.00	0.77	15/16-20 UNEF
55A2-16	T.B.A.	T.B.A.	T.B.A.
55A2-20	1.25	1.02	1 1/4-9 STUB ACME
55A2-24	1.50	1.28	1 1/2-9 STUB ACME
55A2-32	2.00	1.82	2-9 STUB ACME

55 SERIES
55R1-CCP

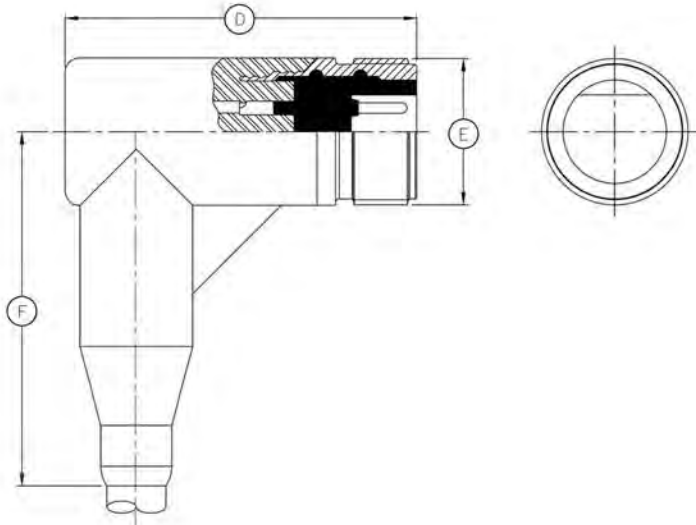
55 SERIES Cable Connector Plug/Right Angle
Mates with 55-BCR/CCR/FCR
Dummy Connector: 55-DSR



CONNECTOR	A - LENGTH (INCHES)	B - Ø (INCHES)	C - LENGTH (INCHES)
55R1-15	2.91	1.08	2.63
55R1-16	2.91	1.17	2.63
55R1-20	3.16	1.45	3.42
55R1-24	3.42	1.70	3.84
55R1-32	3.63	2.23	4.85

55 SERIES
55R2-CCR

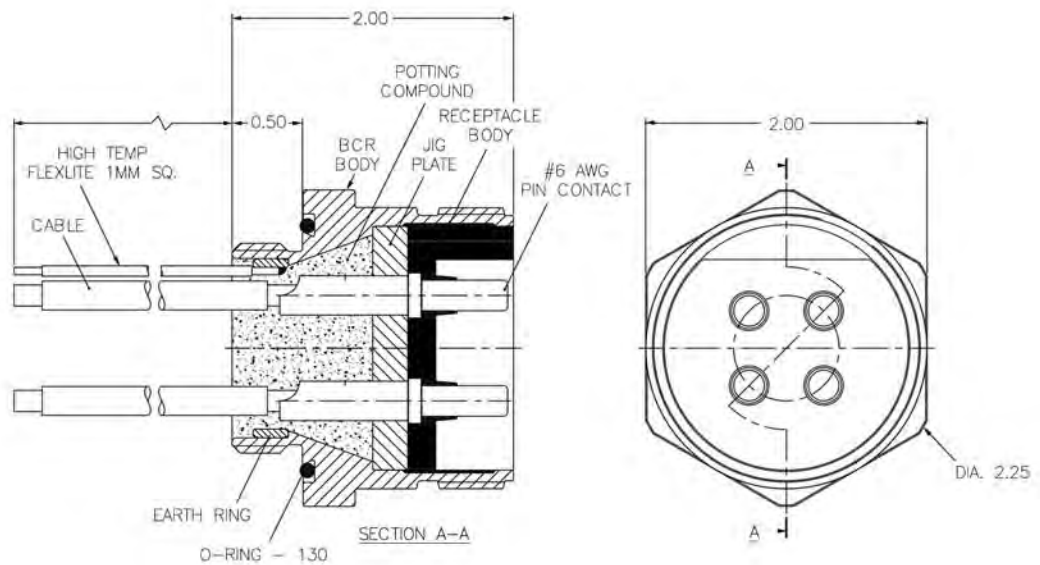
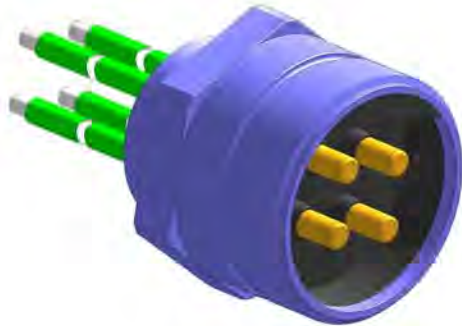
55 SERIES Cable Connector Receptacle/Right Angle
Mates with 55-CCP
Dummy Connector: 55-DSP



CONNECTOR	D - LENGTH (INCHES)	E - THREAD	F - LENGTH (INCHES)
55R2-15	2.52	15/16-20 UNEF	2.63
55R2-16	2.52	1-9 STUB ACME	2.63
55R2-20	3.48	1 1/4-9 STUB ACME	3.42
55R2-24	3.52	1 1/2-9 STUB ACME	3.84
55R2-32	3.54	2-9 STUB ACME	4.85

55 SERIES 5507-BCR-HP

55 SERIES Bulkhead Connector Receptacle High Power
Mates with 55-CCP-HP

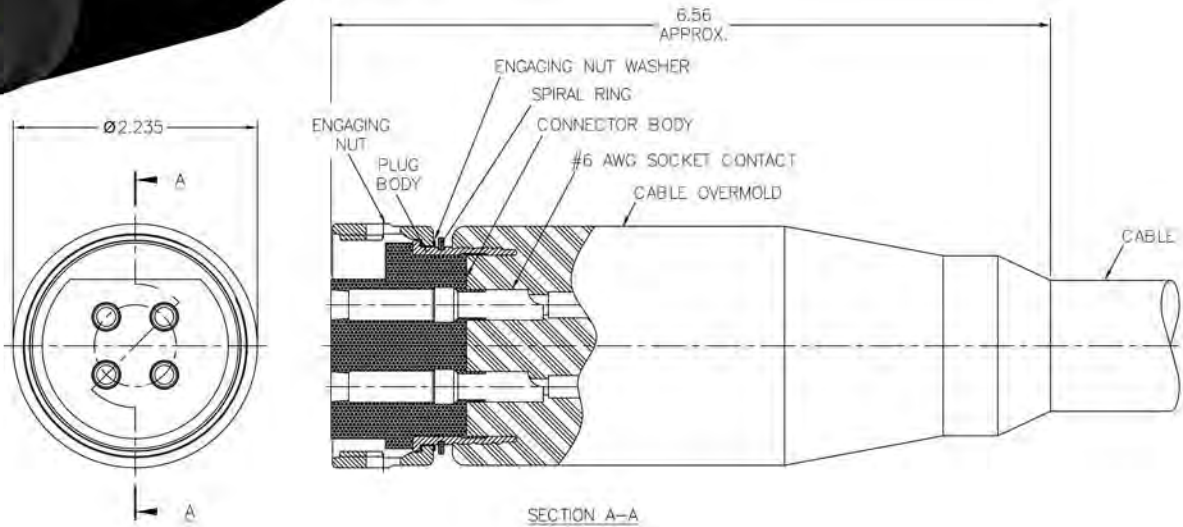


NOTES:

- High power BCR only available in size 32, #6 AWG and 4 contact configurations.
- Only mates to high power 55 SERIES CCP.

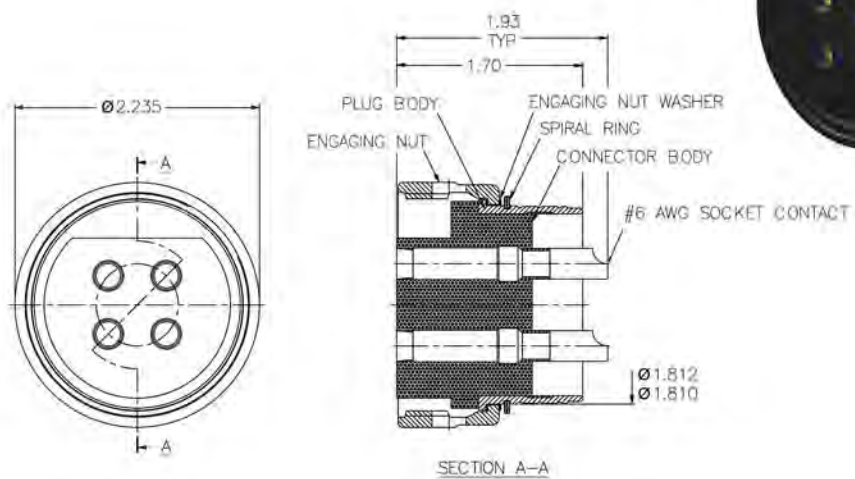
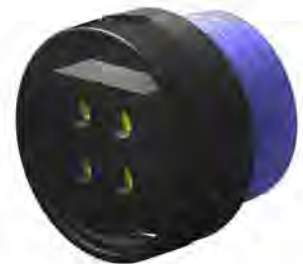
55 SERIES
5501-CCP-HP

55 SERIES Cable Connector Plug High Power
Mates with 55-BCR-HP



55 SERIES
55A1-CCP/AT-HP

55 SERIES Cable Connector Plug/Attachable High Power
Mates with 55-BCR-HP

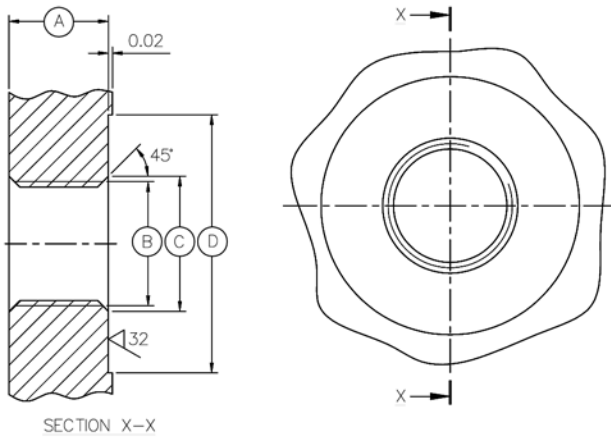


NOTES:

- High power CCP only available in size 32, #6 AWG and 4 contact configurations.
- Only mates to high power 55 SERIES BCR.

**55 SERIES
5507-BCR
INTERFACE DETAILS**

55 SERIES Bulkhead Connector Receptacle

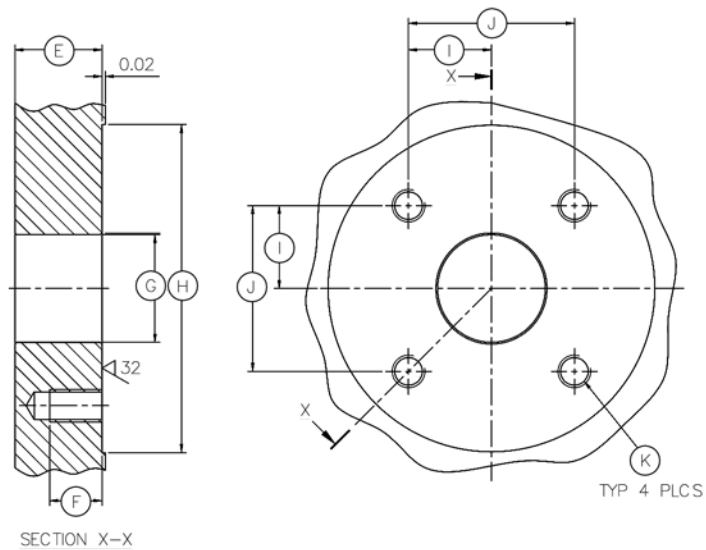


BCR INTERFACE MOUNTING INFORMATION

CONNECTOR	A - MIN LENGTH (INCHES)	B - THREAD	C - Ø (INCHES)	D - MIN Ø (INCHES)
5507-15	0.50	5/8-18 UNF 2B	0.68	1.30
5507-16	0.50	5/8-18 UNF 2B	0.68	1.30
5507-20	0.50	3/4-16 UNF 2B	0.79	1.44
5507-24	0.50	1-14 UNS 2B	1.05	1.73
5507-32	0.50	1 1/2-12 UNF 2B	1.55	2.31

**55 SERIES
5506-FCR
INTERFACE DETAILS**

55 SERIES Flange Connector Receptacle



FCR INTERFACE MOUNTING INFORMATION

CONNECTOR	E - MIN (INCHES)	F - TYPICAL (INCHES)	G - Ø (INCHES)	H - Ø (INCHES)	I - (INCHES)	J - (INCHES)	K - THREAD	RECOMMENDED FIXING SCREW LENGTH
5506-15	0.525	0.315	0.65	1.98	0.50	1.00	M5x0.8p 6H	15mm
5506-16	0.525	0.315	0.65	2.13	0.5625	1.125	M5x0.8p 6H	16mm
5506-20	0.625	0.375	0.77	2.33	0.625	1.25	M6x1.0p 6H	18mm
5506-24	0.625	0.375	1.02	2.655	0.75	1.50	M6x1.0p 6H	18mm
5506-32	0.825	0.50	1.52	3.53	1.00	2.00	M8x1.25p 6H	20mm

SIZE	55 SERIES CONTACT CONFIGURATIONS AVAILABLE (CCP FACE VIEW ONLY - NOT TO SCALE)					
15	 55XX-1502 2#12	 55XX-1503 3#12	 55XX-1504 4#16	 55XX-1506 6#16	 55XX-1508 8#16	
16	 55XX-1608 8#16					
20	 55XX-2003 3#10	 55XX-2004 4#10	 55XX-2006 6#10	 55XX-2008 8#12	 55XX-2013 13#16	 55XX-2004 1#8/3#10 (4)
24	 55XX-2410 8#10/2#12 (10)	 55XX-2412 12#12	 55XX-2420 20#16			
32	 55XX-3210 10#8	 55XX-3212 12#8	 55XX-3216 5#10/11#12 (16)	 55XX-3221 4#8/8#10/9#12 (21)	 55XX-3224 6#10/18#12 (24)	
	 55XX-3204-HP 4#6					

S E A C O N



66 SERIES

UNDERWATER ELECTRICAL DRY-MATE CONNECTORS

SECTION	PAGE
66 SERIES	
Introduction	66 SERIES 3
Availability	66 SERIES 3
Applications	66 SERIES 3
Testing	66 SERIES 3
Special Assemblies	66 SERIES 3
Part Number System	66 SERIES 3
General Information.....	66 SERIES 3
 Dimension Details:	
6601-CCP	66 SERIES 4
6606-FCR	66 SERIES 5
6607-BCR	66 SERIES 5
 Interface Details:	
6607-BCR	66 SERIES 6
6606-FCR	66 SERIES 6
 Contact Configurations	66 SERIES 7

INTRODUCTION

SEACON (europe) Ltd is pleased to announce the release of a new range of underwater electrical dry-mate connectors to compliment the existing 55 SERIES. The new 66 SERIES of reverse gender connectors enable power to be applied to the bulkhead connector yet still be safe to use. Manufactured utilizing tried and tested methods and materials, this new range also incorporates shorter locking sleeves to ensure easier mating capability.

Other key features include:-

- Industry Standard Compatibility
- Proven Sealing Technology
- Heavy Duty Stub Acme Threads*
- Pressure Rated Blanking Caps available

AVAILABILITY

The 66 SERIES is currently available in two shell sizes; 16 and 20 with two configurations (8#16/13#16), however more configurations will be added to the range if required.

APPLICATIONS

This new connector range is suitable for a variety of applications including ROV's, underwater cameras, diver communications, lights and pan and tilts.

TESTING

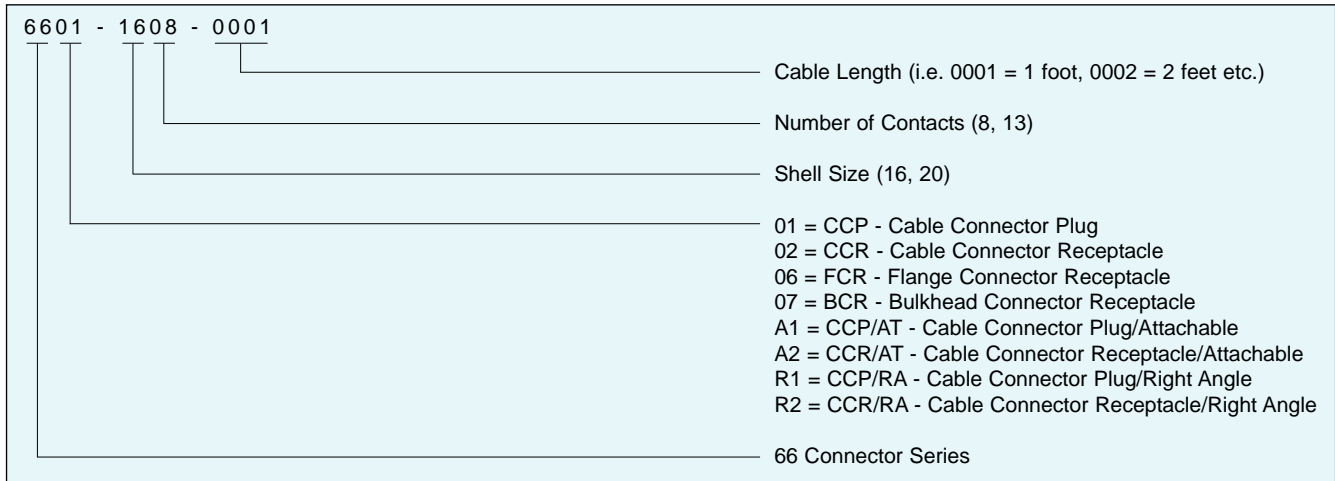
Please contact SEACON for details.

SPECIAL ASSEMBLIES

SEACON maintains all facilities necessary to furnish complete underwater and environmental electrical connector/cable systems, including Research and Development, Engineering, Manufacturing, Quality Control and Pressure Testing. As well as supplying our standard 'off-the-shelf' items, we have the capability to design and manufacture **SPECIAL CUSTOMIZED CONNECTORS AND CABLE ASSEMBLIES** to suit your individual needs. SEACON also prides itself with the ability to perform stringent quality conformance testing procedures which are in accordance with the MIL-SPEC programs.

Please contact SEACON for further information

PART NUMBER SYSTEM - EXAMPLE



GENERAL INFORMATION

COMPONENT	MATERIAL
CONNECTOR BODY BCR/CCP/FCR	316L Stainless Steel Shell / Neoprene internals
CONTACTS	Gold plated per MIL-G-45204
O-RING	Nitrile N70
ENGAGING NUT	316L Stainless Steel coated with special anti-galling compound
IN-LINE CABLE	Neoprene. Other materials are also available. Please contact SEACON for details
SPIRAL RETAINING RING	316L Stainless Steel

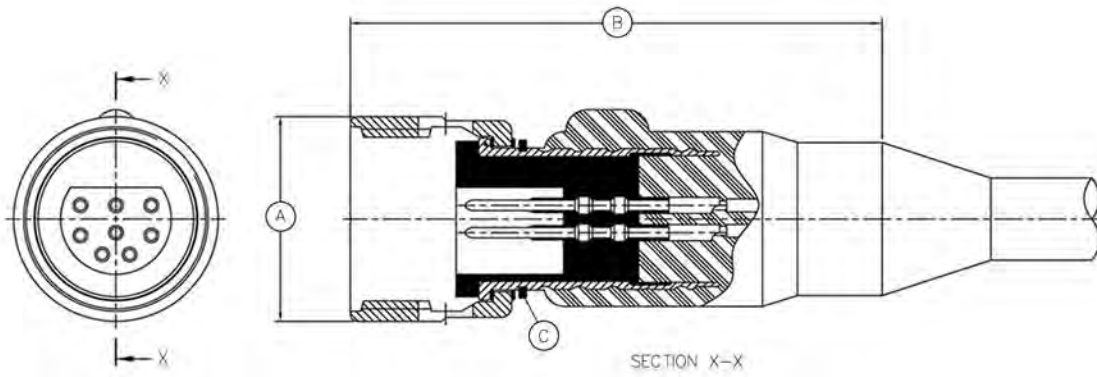
CATEGORY	VALUE
OPEN FACE PRESSURE	Up to 10,000 psi
MATED PRESSURE	10,000 psi
VOLTAGE RATING	600 VDC / 440 VAC
CURRENT	7 amps (contacts 13 amps) and cable dependent
BULKHEAD MOUNTING TORQUE	16 shell size = 125 inch/lbs* 20 shell size = 165 inch/lbs*

NOTE:

· * Torque values refers to installation into dry metal threads.

66 SERIES
6601-CCP

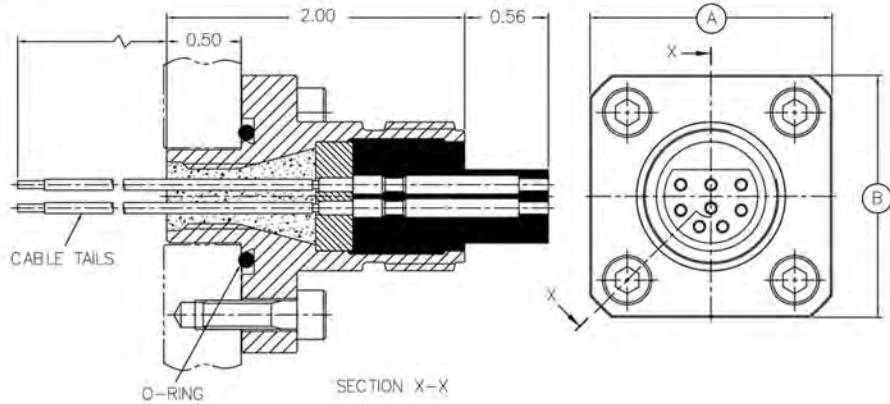
66 SERIES Cable Connector Plug
Mates with 66-BCR/CCR/FCR
Dummy Connector: 66-DSR



CONNECTOR	A - Ø (INCHES)	B - LENGTH (INCHES)	C
6601-16	1.17	3.04 APPROX	SPIRAL RETAINING RING
6601-20	1.45	3.70 APPROX	CIRCLIP

66 SERIES
6606-FCR

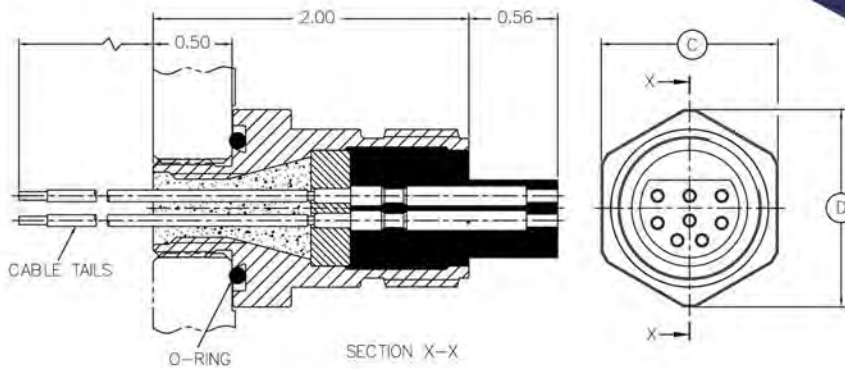
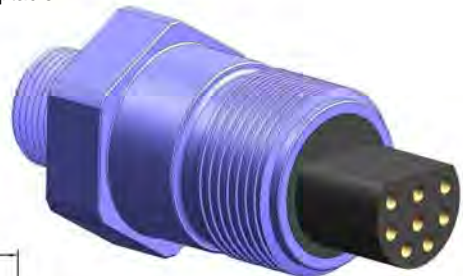
66 SERIES Flanged Connector Receptacle
Mates with 66-CCP
Dummy Connector: 66-DSP



CONNECTOR	A - LENGTH (INCHES)	B - LENGTH (INCHES)
6606-16	1.625	1.625
6606-20	1.75	1.75

66 SERIES
6607-BCR

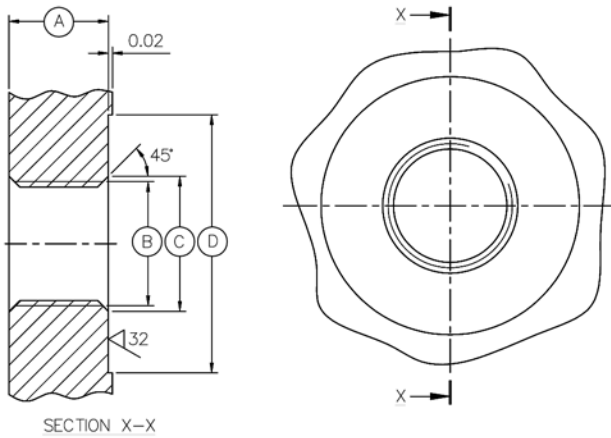
66 SERIES Bulkhead Connector Receptacle
Mates with 66-CCP
Dummy Connector: 66-DSP



CONNECTOR	C - LENGTH (INCHES)	D - LENGTH (INCHES)
6607-16	1.12	1.25
6607-20	1.25	1.40

**66 SERIES
6607-BCR
INTERFACE DETAILS**

66 SERIES Bulkhead Connector Receptacle

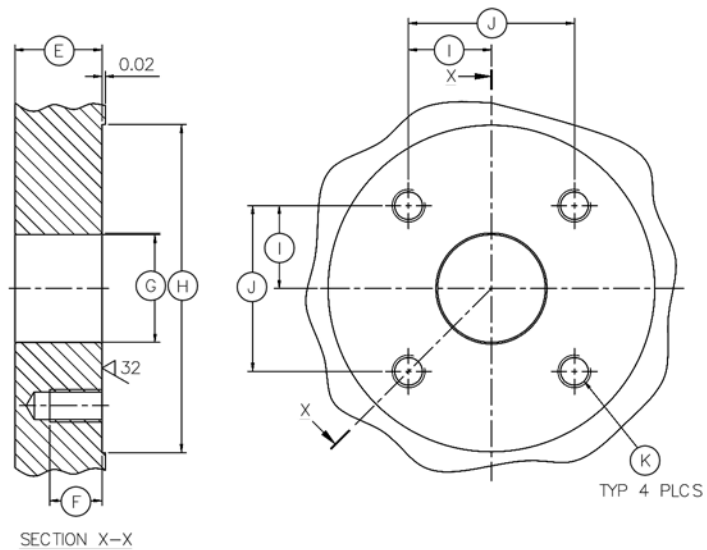


BCR INTERFACE MOUNTING INFORMATION

CONNECTOR	A - MIN LENGTH (INCHES)	B - THREAD	C - Ø (INCHES)	D - MIN Ø (INCHES)
6607-16	0.50	5/8-18 UNF 2B	0.68	1.30
6607-20	0.50	5/8-16 UNF 2B	0.79	1.44

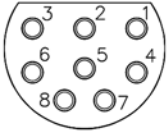
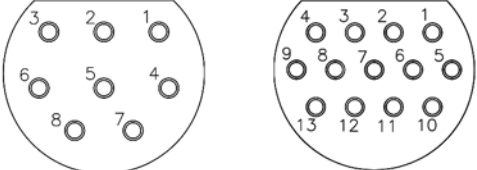
**66 SERIES
6606-FCR
INTERFACE DETAILS**

66 SERIES Flange Connector Receptacle



FCR INTERFACE MOUNTING INFORMATION

CONNECTOR	E - MIN LENGTH (INCHES)	F - TYPICAL Ø (INCHES)	G - Ø (INCHES)	H - Ø (INCHES)	I - LENGTH (INCHES)	J - LENGTH (INCHES)	K - THREAD	RECOMMENDED FIXING SCREW LENGTH
6606-16	0.525	0.315	0.65	2.13	0.5625	1.125	M5x0.8p 6H	16mm
6606-20	0.625	0.375	0.77	2.33	0.625	1.25	M5x0.8p 6H	18mm

SIZE	66 SERIES CONTACT CONFIGURATIONS AVAILABLE (CCP FACE VIEW ONLY - NOT TO SCALE)
16	 <p data-bbox="277 321 363 359">66XX-1608 8#16</p>
20	 <p data-bbox="289 617 375 655">66XX-2008 8#16</p> <p data-bbox="561 617 647 655">66XX-2013 13#16</p>

NOTES:

- Shell size 16 only available in 8#16 configuration.

HANDLING PROCEDURES AND SPECIAL CAPABILITIES

SEACON (europe) LTD

Seacon House, Hewett Road,
Gapton Hall Industrial Estate,
Great Yarmouth, Norfolk, NR31 0RB, UK.
TEL: +44 (0) 1493-652733
FAX: +44 (0) 1493-652840
E-Mail: sales@seaconeurope.com
Website: www.seaconeurope.com

SEACON

1700 Gillespie Way,
El Cajon, California 92020, USA.
TEL: +1 (619) 562-7071
FAX: +1 (619) 562-9706
E-Mail: seacon@seaconworldwide.com
Website: www.seaconworldwide.com

SEACON US GULF AREA SALES OFFICE

14511 Old Katy Road, Suite 300,
Houston, Texas 77079, USA.
TEL: +1 (281) 599-3509
FAX: +1 (281) 599-3517
E-Mail: gulfcoastsales@seaconworldwide.com
Website: www.seaconworldwide.com

SEACON ENCAPSULATING AND MOLDING FACILITY

1718 Fry Road, Suite 250,
Houston, Texas 77084, USA.
TEL: +1 (281) 394-0216
E-Mail: moldingshop@seaconworldwide.com
Website: www.seaconworldwide.com

SEACON US EAST COAST SALES OFFICE

15 Gray Lane, Suite 108, Hopkinton Industrial Park,
Ashaway, Rhode Island 02804, USA.
TEL: +1 (401) 637-4952
FAX: +1 (401) 637-4953
E-Mail: eastcoastsales@seaconworldwide.com
Website: www.seaconworldwide.com

SEACON ADVANCED PRODUCTS, LLC

1321 Nelius Road, P.O. Box 767,
Bellville, Texas 77418, USA.
TEL: +1 (979) 865-8846
FAX: +1 (979) 865-8859
E-Mail: sales@seacon-ap.com
Website: www.seacon-ap.com

SEACON BRAZIL

Rua Conde de Bonfim 120 sala 212,
Tijuca, Rio de Janeiro,
Brazil, CEP: 20520-053.
TEL #1: +55 (21) 3592-0920
TEL #2: +55 (21) 3594-0920
CELL: +55 (21) 98849-3336
E-Mail: renata@seacon-ap.com
Website: www.seaconworldwide.com

SEACON GLOBAL PRODUCTION

Callejon Terrazos #8, Local 2-C,
Las Brisas 1ra. Seccion,
Tijuana, B.C., Mexico C.P. 22610.
TEL: +52 (664) 626-2726
FAX: +52 (664) 686-8922
E-Mail: sales@seaconglobal.com
Website: www.seaconglobal.com
Dial from U.S.A. TEL: +1 (619) 308-7901
TOLL FREE: (888) 562-7072
FAX: +1 (619) 308-7900

Even though these procedures appear simple, only qualified technicians should perform the installation and maintenance. Connectors are designed for installation on one atmosphere vessels. Contact SEACON for recommendations if using compensated vessels.

INSTALLATION PROCEDURES

Torque values referenced in this literature assume installation into dry metal threads. For other applications, please contact SEACON® for recommendations.

BULKHEAD CONNECTOR (BC): The BC may be installed using one of two methods. The preferred method is to spotface the bulkhead surface and thread the hole, then screw the connector by means of a nut and washer. The bored hole (or threaded hole) should be free of any "burrs" and all o-ring sealing surfaces polished to a number 32 finish. Lubricate the BC o-ring with an appropriate silicon spray or grease before installing. This lubrication should be applied to form an adequate film. Excessive lubrication is detrimental to the operation of the connector. Bulkhead nut, if used, should not be over-torqued.

IN-LINE CONNECTOR: Lubricate the sealing areas around the male pins, using an appropriate silicon spray, or grease lightly.

CARE AND MAINTENANCE

The 55 & 66 SERIES connectors require very little maintenance. They are designed to be used in harsh environments and thus limited amounts of dirt and grit do not affect their performance.

It is recommended that, upon disconnecting or retrieving the system, the connectors be cleaned, to storage (if possible, remate with dummy plugs). Prior to deployment the following maintenance procedure is recommended:

1. Demate the connector set.
2. Flush connector interface with fresh water (deionized water if available), remove all dirt, grit and grease.
3. Inspect for damage in sealing areas, excessive corrosion, debonding of the cable and connector interface and cuts in the cable jacket.
4. Apply thin film of dielectric compound (DC) grease, silicon based, to sealing areas of male connector and across the face of the female connector*. If the BC is removed from its housing then replace facial o-ring and make sure that o-rings are lubricated and in good condition.
5. Mate the connector halves, wipe away any excess grease off the interface line of the mated set.

* **CAUTION:** The use of some oil-based propellants in spray cans can cause conductivity problems in neoprene.

CABLE AND CONTINUITY PRESERVATION

Avoid sharp bends in cables. Cables subjected to vibration or exposed to seawater drag should be adequately clamped to prevent conductor fatigue and ultimate failure.

All reasonable efforts have been taken to ensure that the information contained herein is accurate at the date of publication, but no representation or warranty as to the accuracy or completeness of such information is intended or to be implied by its inclusion herein. Any and all representations and warranties pertaining to the information and products referred to herein shall be set forth in SEACON standard sales order form. In addition, SEACON reserves the right to make changes to the contents hereof without notice, therefore it is suggested that at the time of inquiry, the appropriate sales office or factory be contacted directly for verification of published specifications and products availability.

© 2014 SEACON
ALL RIGHTS RESERVED

